

宁波欧乐机械有限公司
NINGBO OULE MACHINE CO., LTD.

宁波德克刀具有限公司
NINGBO DEREK TOOLS CO., LTD.

营销总部 SALES CENTER

地址: 浙江省宁波市庄市中官西路创E慧谷德克大楼
Add: DEREK Building, No. 777, Zhongguan Xi Rd, Ningbo, China 315201
电话/ Tel: 0574-26286999
传真/ Fax: 0574-26283999
邮箱/ E-mail: sales@derekmetal.com
网址/ Web: www.derekmetal.com

国际贸易 OVERSEAS

电话/ Tel: +86-574-26287772
邮箱/ E-mail: sales1@derekmetal.com
网址/ Web: www.derekttools.com

江苏分部 JIANGSU BRANCH

电话/ Tel: 0512-57777308 57777309
传真/ Fax: 0512-57777309

广东分部 GUANGDONG BRANCH

电话/ Tel: 0769-81199996 85305802
传真/ Fax: 0769-81199995



我们保留技术更新、改善产品权利
We reserve the rights to update the products
specification without prior notice.

**BORING
SYSTEM**



ABOUT DEREK

德克简介



工厂1
Factory I



工厂2
Factory II

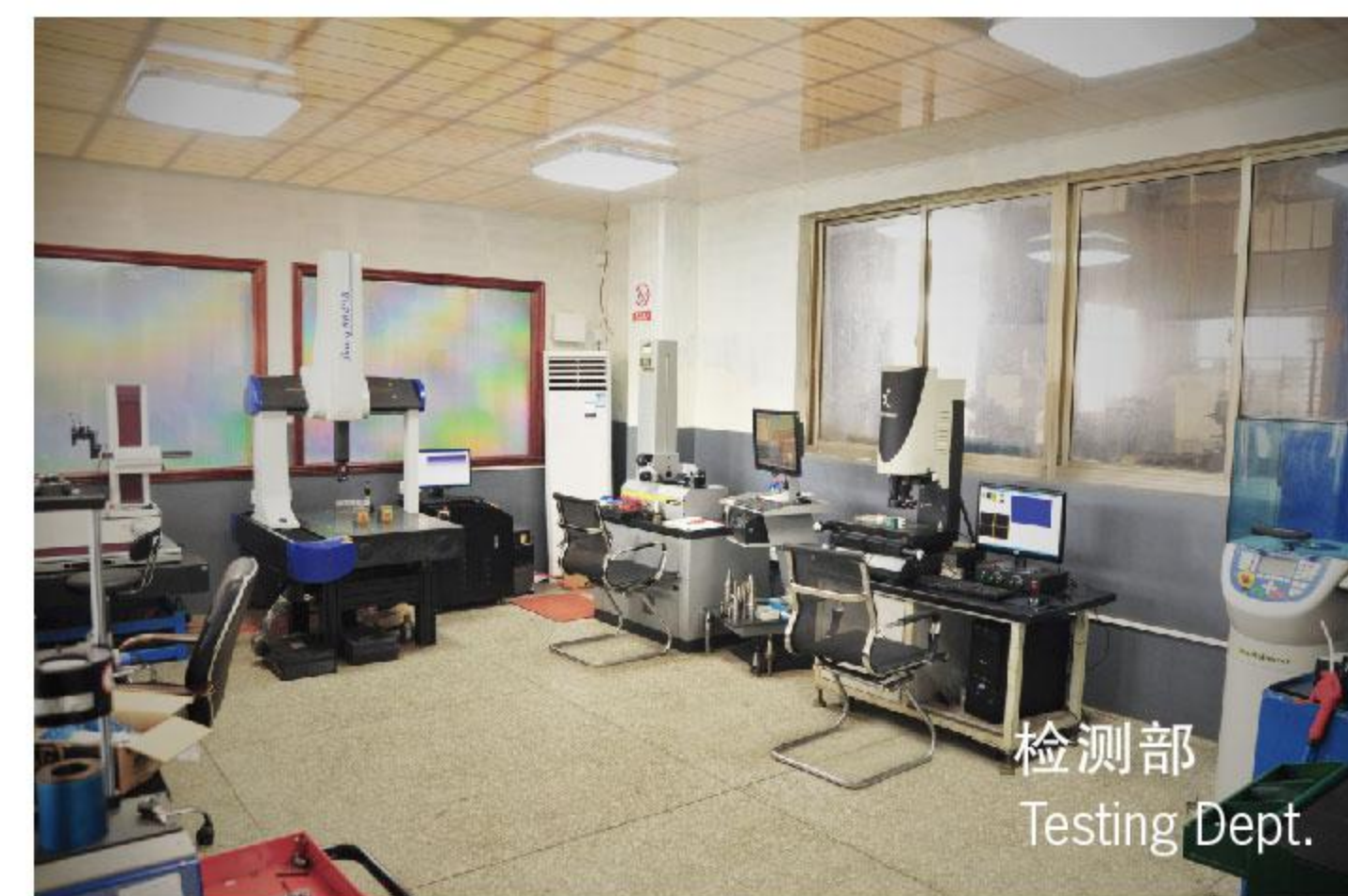


工厂3
Factory III

宁波欧乐机械有限公司及德克刀具有限公司为德克工业集团（瑞典）有限公司旗下在中国的制造加工企业及营销中心，并在中国宁波设有占地 25 亩的一期工厂加工区及占地 30 亩的二期工厂加工区。

公司自 1993 年成立至今，20 多年专注于研发，是国内极少数拥有完整数控刀具现代化生产线的制造企业，拥有 30 多项核心专利，多项国际认证，享誉海内外客户及业内同行！

Ningbo Oule Machine Co., Ltd., established in 1993, is the research and manufacturing center of Derek Tools and specialized in CNC milling cutters, turning tools, tool holders, and boring tools. Our mission is to provide high quality products and a-class service, including providing our customers with tools solution, helping them get smooth production.



检测部
Testing Dept.

德克刀具每款产品都承载着“制造一流产品、提供一流服务”企业宗旨，“为客户提供数控刀具整体解决方案、助其更好的服务市场以获得全球性的成功”是德克刀具的企业诉求。

通过不断技术革新，德克刀具客户遍布70多个国家和地区，建立了初步的全球营销网络！通过大量专业人才和先进的高科技生产检测设备，在先进管理理念和国际质量体系的引导下，通过公司全体员工的智慧和不断辛勤努力开发的德克刀具以其新颖的结构、精湛的工艺、优越的性能，德克刀具获得了客户的一致好评和广泛认同。

We work with the most experienced engineers in high precise tools area, and we have the testing equipments to make sure our tools are qualified. During the past years, we focused on the further development, working with high-tech research institutions all over the world. With our efforts, we won an award of patent of 0.002mm precision adjustmet for FBH micro boring tools.

Meanwhile, we improved the whole factory management level. Today, Derek enjoys good reputation among the CNC tools field.



高新技术企业



DCK-SCBH/SDCK/BT-SDCK

DCK-SCBH/SDCK/BT-SDCK Anti-vibration Boring System
DCK-SCBH/SDCK/BT-SDCK 阻尼减振镗刀系列

Various Structural Forms
结构形式丰富

满足多元化镗孔需求/Meet Diversified Machining Needs



SCBH 精镗刀 SCBH Finish Boring

■镗头搭载减振机构; CBH 精镗头的功能保持不变, 并且与减振机构融为一体。

■The boring head is equipped with vibration reduction; The function of CBH finish boring head remains unchanged, and they are synchronized with each other.

SDCK 镗刀柄 SDCK Boring Adaptor

■DCK 基础柄内置减振机构, 为更长倍径保驾护航。

■Vibration reduction attached on DCK boring adaptor could receive better machining result during deep hole machining.

SDCK 延长杆 SDCK Extension

■内置减振机构, 两端 DCK 接口, 与现有标准镗头、基础柄实现互联互通。

■Smoothly interconnecting with existing standard boring head and boring adaptor by DCK connector and vibration reduction.

SDCK 直柄镗刀杆 SDCK Boring Bar

■内置减振机构, 前端 DCK 接口, 后端配合各主轴形式的强力刀柄, 满足小孔径镗孔长倍径需求。

■Vibration reduction attached, DCK boring adaptor at the front and power chucks with various cone at the back. And it also meets the needs of small but deep hole machining.

Contrast Experiment
实测性能对比

切削条件

机床: 立加
加工直径: $\Phi 54$
刀尖半径: R0.2
进给: 0.1mm/rev
切削量: 0.3mm/ Φ

Machining Condition

Machine: Vertical machining center
Cutting dia: $\Phi 54$
Radius: R0.2
Feed: 0.1mm/rev
Cutting output: 0.3mm/ Φ

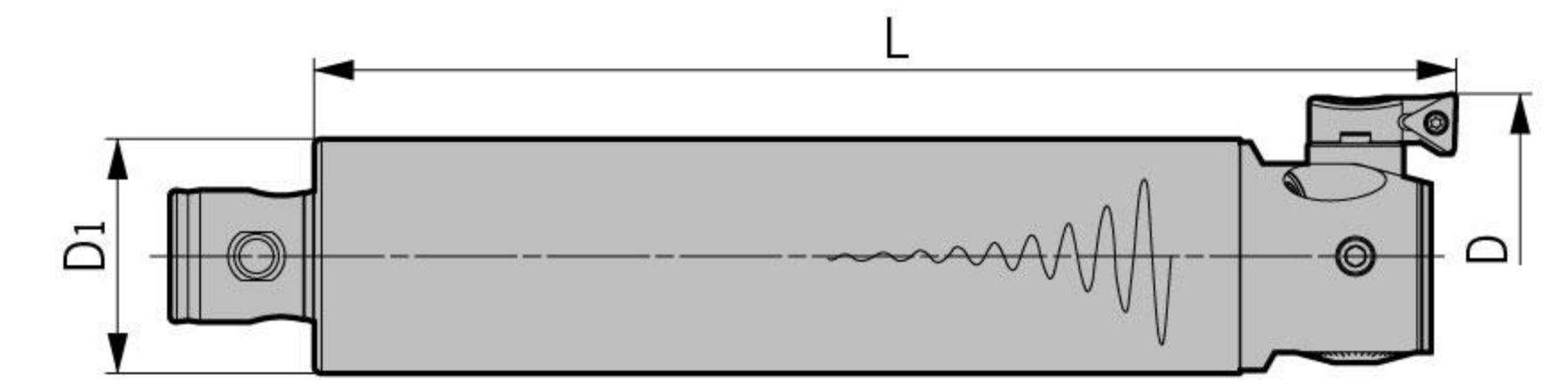
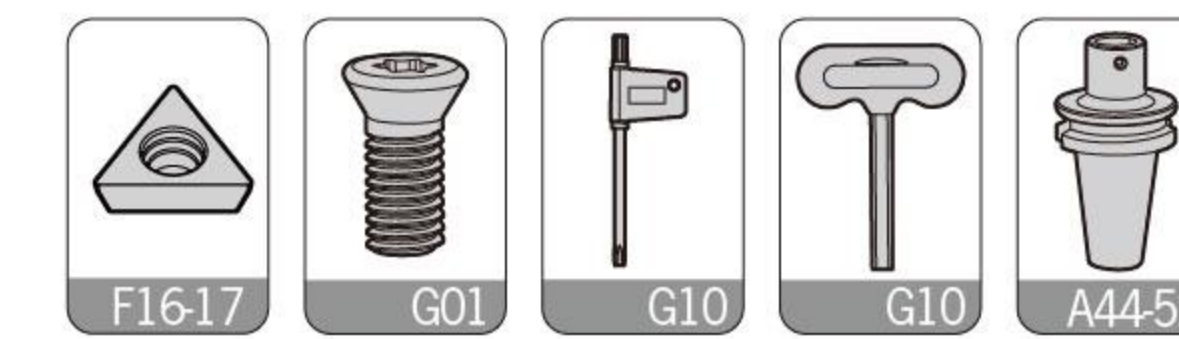
42CrMo (HRC40) 精镗加工 Finish Boring

× 振动 ○ 稳定 ◎ 优越 × Vibrating ○ Steady ◎ Superior

组合型号 Specification	50	80	100	150
BBT50-DCK5-263 DCK5-CBH53-95 (L/D=5.8)	○	×	×	×
BBT50-DCK5-263 DCK5-SCBH53-215 (L/D=8.6)	○	○	○	◎

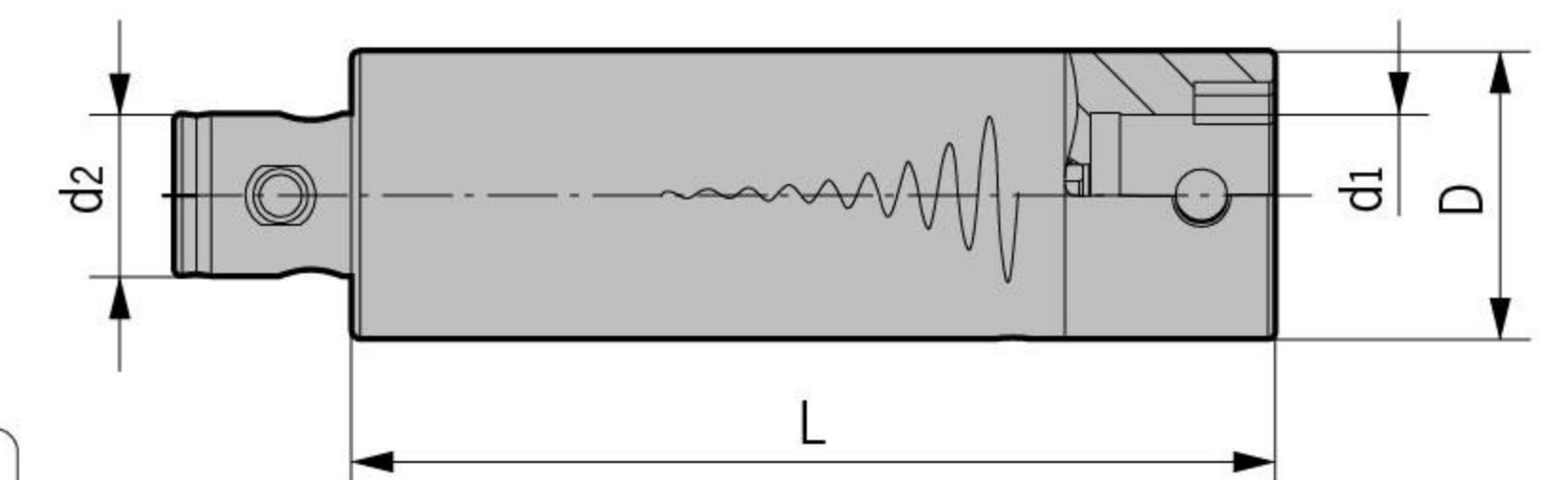
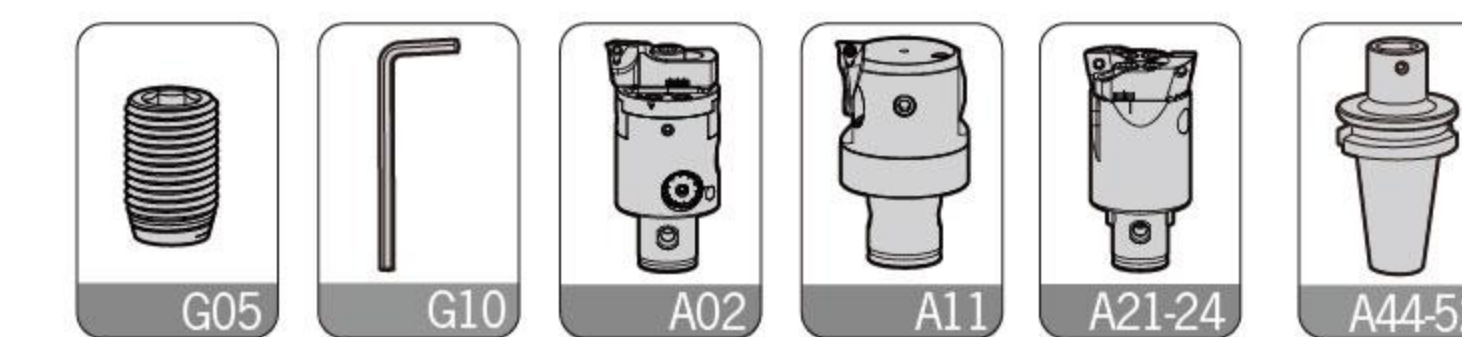
DCK-SCBH/SDCK

DCK-SCBH Anti-vibration Finish Boring
DCK-SCBH 阻尼减振精镗刀



型号 Specification	D ₁	L	范围 ΦD Boring range	组合刀柄 Adapter size	刀片座 Cartridge	刀片 Insert	螺钉 Screw	扳手 Wrench	重量 Weight
DCK1-SCBH20-110	19	110	20-26	DCK1	CBH1-1				0.29
DCK2-SCBH25-130	24	130	25-33	DCK2	CBH2-1	TPGH0802	M020D055	Q06	0.55
DCK3-SCBH32-150	31	150	32-42	DCK3	CBH3-1				1.09
DCK4-SCBH41-190	39	190	41-54	DCK4	CBH4-1	TCMT1102 (标配With)			2.08
DCK5-SCBH53-215	50	215	53-70	DCK5	CBH5-1	TPGH1103 (选配)	M025W060 M030W070	Q08	3.86
DCK6-SCBH68-245	64	245	68-100	DCK6	CBH6-1				7.73
DCK7-SCBH100-245	90	245	100-153	DCK7	CBH6-1				11.73
	90	245	126-179	DCK7	CBH6-2				11.73
	90	245	150-203	DCK7	CBH6-3				11.73

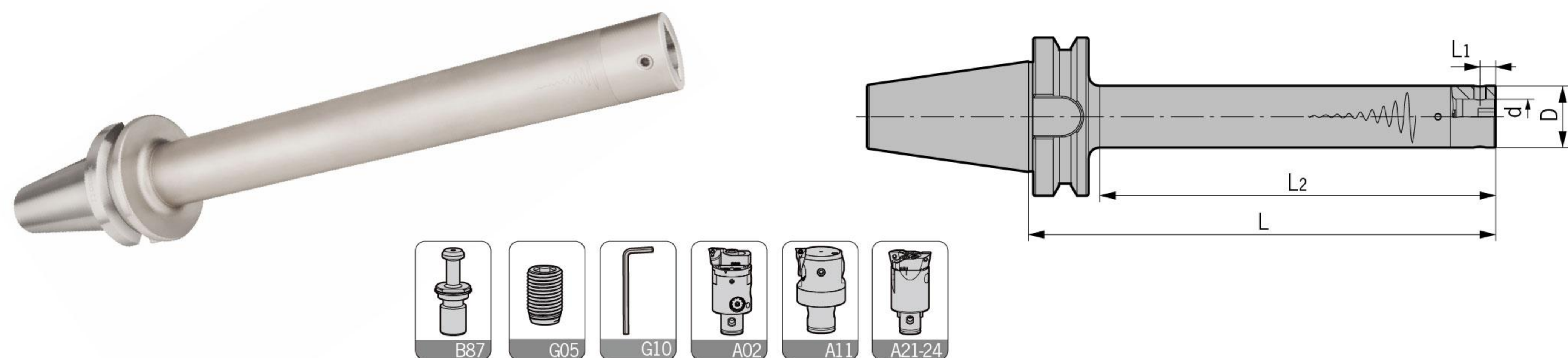
SDCK Anti-vibration Extension
SDCK 阻尼减振延长杆



型号 Specification	D	d ₁	d ₂	L	侧固螺钉 Side-lock screw	L型扳手 Wrench	重量 Weight
SDCK2-2-90	24	14	14	90	M050Z060-30P-D	L025	0.33
SDCK3-3-115	31	18	18	115	M060Z090-30P-D	L03	0.75
SDCK4-4-125	39	22	22	125	M080Z120-30P-D	L04	1.14
SDCK5-5-155	50	28	28	155	M100Z160-30P-D	L05	2.39
SDCK6-6-185	64	36	36	185	M120Z200-30P-D	L06	5.11

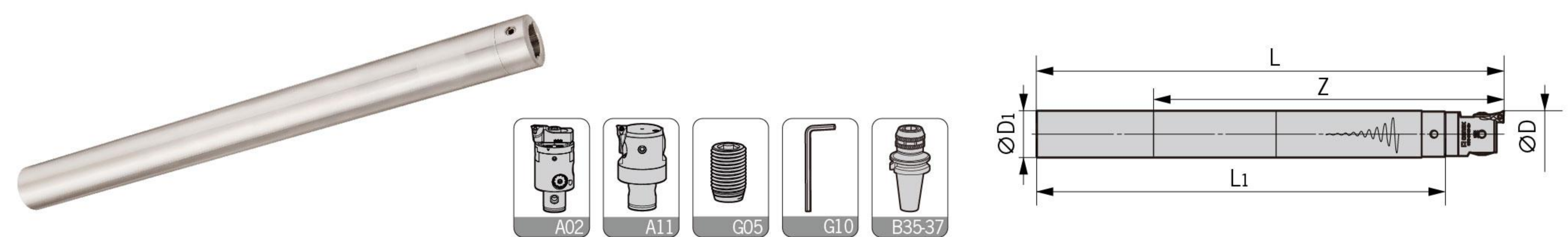
BT-SDCK/SCB-SDCK

BT-SDCK Anti-vibration Boring Adapter
BT-SDCK 阻尼减振镗刀柄



型号 Specification	D	d	L ₁	L ₂	L	侧固螺钉 Side-lock screw	L型扳手 Wrench	重量 Weight
BT40-SDCK2-145	24	14	6.45	110	145	M050Z060-30P-D	L025	1.44
BT40-SDCK2-170	24	14	6.45	135	170	M050Z060-30P-D	L025	1.54
BT40-SDCK2-195	24	14	6.45	160	195	M050Z060-30P-D	L025	1.64
BT40-SDCK3-195	31	18	7.9	160	195	M060Z090-30P-D	L03	2.15
BT40-SDCK3-225	31	18	7.9	190	225	M060Z090-30P-D	L03	2.37
BT40-SDCK3-255	31	18	7.9	220	255	M060Z090-30P-D	L03	2.59
BT40-SDCK4-240	39	22	10	205	240	M080Z120-30P-D	L04	3.07
BT40-SDCK4-280	39	22	10	245	280	M080Z120-30P-D	L04	3.50
BT40-SDCK4-320	39	22	10	285	320	M080Z120-30P-D	L04	3.93
BT40-SDCK5-315	50	28	13	283	315	M100Z160-30P-D	L05	5.65
BT50-SDCK2-165	24	14	6.45	117	165	M050Z060-30P-D	L025	4.12
BT50-SDCK2-190	24	14	6.45	142	190	M050Z060-30P-D	L025	4.22
BT50-SDCK2-215	24	14	6.45	167	215	M050Z060-30P-D	L025	4.32
BT50-SDCK3-205	31	18	7.9	160	205	M060Z090-30P-D	L03	4.80
BT50-SDCK3-235	31	18	7.9	190	235	M060Z090-30P-D	L03	5.02
BT50-SDCK3-265	31	18	7.9	220	265	M060Z090-30P-D	L03	5.24
BT50-SDCK4-255	39	22	10	210	255	M080Z120-30P-D	L04	5.89
BT50-SDCK4-295	39	22	10	250	295	M080Z120-30P-D	L04	6.27
BT50-SDCK4-335	39	22	10	290	335	M080Z120-30P-D	L04	6.65
BT50-SDCK5-315	50	28	13	270	315	M100Z160-30P-D	L05	8.51
BT50-SDCK5-360	50	28	13	315	360	M100Z160-30P-D	L05	9.30
BT50-SDCK5-405	50	28	13	360	405	M100Z160-30P-D	L05	10.09
BT50-SDCK6-380	64	36	16	335	380	M120Z200-30P-D	L06	12.56
BT50-SDCK6-445	64	36	16	400	445	M120Z200-30P-D	L06	14.24
BT50-SDCK6-510	64	36	16	465	510	M120Z200-30P-D	L06	15.93

SCB-SDCK Anti-vibration Boring Bar
SCB-SDCK 阻尼减振直柄镗刀杆



型号 Specification	D ₁	D	有效加工深度 Z	L	L ₁	总重量 Weight
SCB- C19-SDCK1-190	Ø19	20-36	133	222	190	0.43
C19-SDCK1-240			190	272	240	0.77
C24-SDCK2-220			168	255	220	0.79
C24-SDCK2-280	Ø24	25-47	240	315	280	1.43
C32-SDCK3-280			224	320	280	1.78
C32-SDCK3-350			320	390	350	3.24

